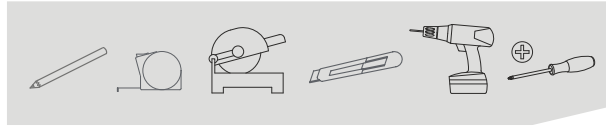
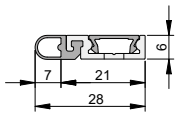
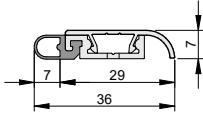
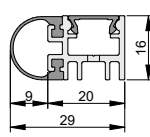
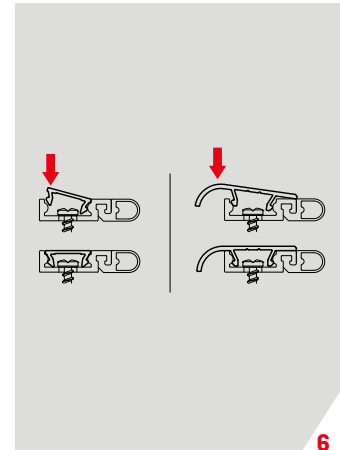
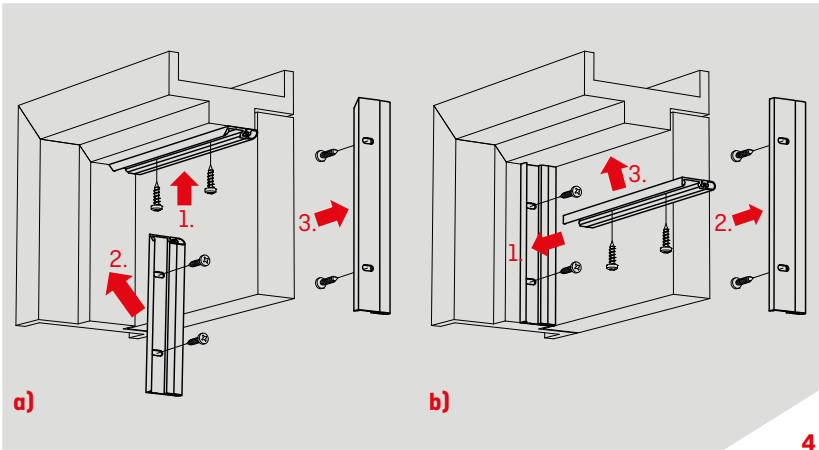
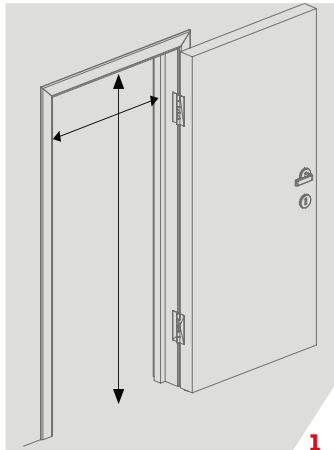


FITTING INSTRUCTION

**TOOLS REQUIRED**

- / pencil
- / circular saw or appropriate cutting tool
- / tape measure
- / cutter or scissors
- / (cordless) screw driver

VALID FOR:**PS 2807 S****PS 3607 S****PS 2816 S****INSTRUCTIONS:**

- 1 Measure the height and width of the door frame and mark the required length on the carrier profile and the snap-on cover. The top corners can be either mitered or butt jointed.
- 2 Remove the snap-on cover from the carrier profile and pull the gasket back beyond the cut mark. Cut the carrier profile and the cover profile separately to the appropriate length.
- 3 Reinsert the gasket and cut it to the same length as the carrier profile.
- 4 With the door closed, position the seal at the door stop. The seal should just rest against the door lightly. Screw into the centre of the slotted holes so adjustment can be made if needed. If required, pre-drilling can be done with a 2 mm drill bit.
 - a) For miter joints screw fix the seal to the head first and then to both jambs.
 - b) In case of butt joint, screw fix the seal to both jambs first and then to the head.
- 5 Open and close the door and check for uniform sealing around the door. If required, the position of the seal can be slightly adjusted by loosening the screws, moving it along the slotted holes and retightening the screws.
- 6 Once positioned correctly, snap on the cover profile over the screws.

NOTE:

- / suitable for installation on new doors as well as for retro-fitting on existing doors
- / if used in combination with a surface mounted bottom seal, the perimeter seal must be installed to the door frame first
- / make sure the fitting of the perimeter seal does not obstruct the function of the door. It is recommended to regularly check that the door opens and closes frictionlessly
- / **PS 3607 S only:** It is not recommended to remove the tamper-proof aluminum snap-on cover once installed (step 6 of the above instructions). Therefore, it is important that the seal is positioned accurately and the fixing screws are tightened before the cover is snapped into place